

## WA

Axial fan condenser  
Commercial range



HFC



7.8 - 95 kW



- # **Modular product** that adapts to the needs of the application with a wide choice of coils and motor fans.
- # The design of the WA allows **installation flexibility** (horizontal or vertical) for two air delivery directions.
- # "Plug & play" motor fan for **easy maintenance**.

## CASING

- # Robust, made of white pre-painted galvanized sheet steel.
- # The use of stainless steel fasteners gives it excellent corrosion resistance and long-lasting aesthetics.



Select your coil treatment to extend your unit cooler's lifespan! Contact us.

## COILS

- # Aluminium fins with 2.12 mm spacing.
- # Combined with staggered copper tubes, the coils are very efficient and compact.
- # Covered with polyester protection as standard.

## VENTILATION



# Axial motor fans with external rotor requiring no specific maintenance:

**Ø 500 mm, 2 speeds:**

- 04/06P = 1,500/1,000 rpm
- 08/12P = 750/500 rpm

**Ø 630 mm, 2 speeds:**

- 04/06P = 1,500/1,000 rpm
- 06/08P = 1,000/750 rpm
- 08/12P = 750/500 rpm
- 16P = 375 rpm

400V, three-phase, 50Hz, monoblock, with external rotor, with built-in thermal protector, IP 54, class F.

# High efficiency, low noise profiled blades.

# 2-speed motor connection:

- Δ = high speed,
- Y = low speed.

# "Plug & play" motor fans for easy maintenance.

### OPTIONS

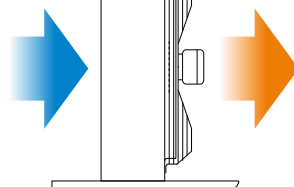
<b>IRP</b>	Rotary proximity switch(es).
<b>M60</b>	Motor fan 400V/3/60Hz (Ø 630 mm).
<b>MM5</b>	Motor fan 230V/1/50Hz - 04P - 06P - 08P.
<b>M24*</b>	Motor fan 230V/3/50-60Hz - 08/12P.

\* Motor fans not held in stock.

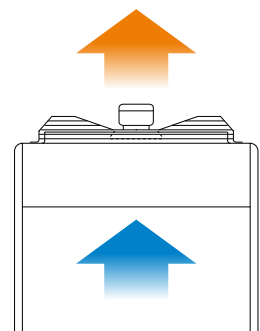
### Both horizontal and vertical installation are possible with the standard feet!

*In case of installation with horizontal air direction, remember to take into account the direction of the prevailing winds to avoid any risk of hot air recirculation!*

*Coils and motor fans can be supplied separately.*



Horizontal air position



Vertical air position

# WA 15<sub>(A)</sub> 04/06P<sub>(B)</sub>

- (A) Model
- (B) **04/06P** = 1500/1000 tr/min
- 06/08P** = 1000/750 tr/min
- 08/12P** = 750/500 tr/min
- 16P** = 375 tr/min

The WA is available with HFCs.  
For more information, please  
consult our software.

## WA ... 04P/06P - (1,500/1,000 rpm)

 2.12 mm

CONDITIONS		REFRIGERANTS	WA ...	15	19	22	30	39	44	48	58	67	54	59	81	95
<b>DT = 15K</b>	<b>R449A</b>	04P (Δ)	<b>kW</b>	14,0	18,8	21,6	28,5	37,4	43,5	43,6	55,6	62,5	54,5	61,3	82,0	95,1
		06P (Y)	<b>kW</b>	12,7	16,4	18,6	25,7	32,8	37,3	38,9	49,1	54,6	49,0	54,9	73,4	84,2
Surface area			<b>m<sup>2</sup></b>	18	26	35	35	53	70	53	79	105	72	95	107	143
Circuit tube vol.			<b>dm<sup>3</sup></b>	3	4	6	6	9	12	9	13	18	12	16	18	24
Fan *	Airflow	04P (Δ)	<b>m<sup>3</sup>/h</b>	7500	6940	6450	15010	13870	12910	22520	20810	19360	21350	19480	32030	29230
		06P (Y)	<b>m<sup>3</sup>/h</b>	6050	5510	5070	12100	11020	10130	18140	16540	15200	17510	16010	26260	24010
			<b>Nb x mm</b>	1 x 500	1 x 500	1 x 500	2 x 500	2 x 500	2 x 500	3 x 500	3 x 500	3 x 500	2 x 630	2 x 630	3 x 630	3 x 630
Energy class			—04P/06P	E/E	E/E	E/D	E/E	E/E	E/D	E/E	E/E	E/D	E/E	E/E	E/E	E/E
Acoustics	Lw (1)	04P (Δ)	<b>dB(A)</b>	74	73	73	77	76	76	79	78	78	93	93	95	95
		06P (Y)	<b>dB(A)</b>	69	68	68	72	71	71	74	72	72	85	85	87	87
	Lp (2)	04P (Δ)	<b>dB(A)</b>	43	42	42	46	45	45	48	47	47	62	62	63	63
		06P (Y)	<b>dB(A)</b>	38	37	37	41	40	40	43	41	41	54	54	55	55
Circuits			<b>Nb</b>	2	4	4	4	6	8	8	8	8	8	8	12	16
Inlet			<b>ODF (4)</b>	1/2"	5/8"	5/8"	3/4"	7/8"	7/8"	7/8"	1 1/8"	1 1/8"	1 1/8"	1 1/8"	1 3/8"	1 3/8"
Outlet			<b>ODF (4)</b>	1/2"	5/8"	5/8"	5/8"	7/8"	7/8"	7/8"	7/8"	7/8"	7/8"	1 1/8"	1 1/8"	1 1/8"
Net weight			<b>kg</b>	36	40	44	63	72	80	92	104	116	93	103	137	152

\* Ø 500 mm - 400 V/3/50 Hz - Δ: 710 W max - 1.4 A max (3) - Y: 480 W max - 0.8 A max (3)  
Ø 630 mm - 400 V/3/50 Hz - Δ: 1,900 W max - 3.2 A max (3) - Y: 1,350 W max - 2.2 A max (3)

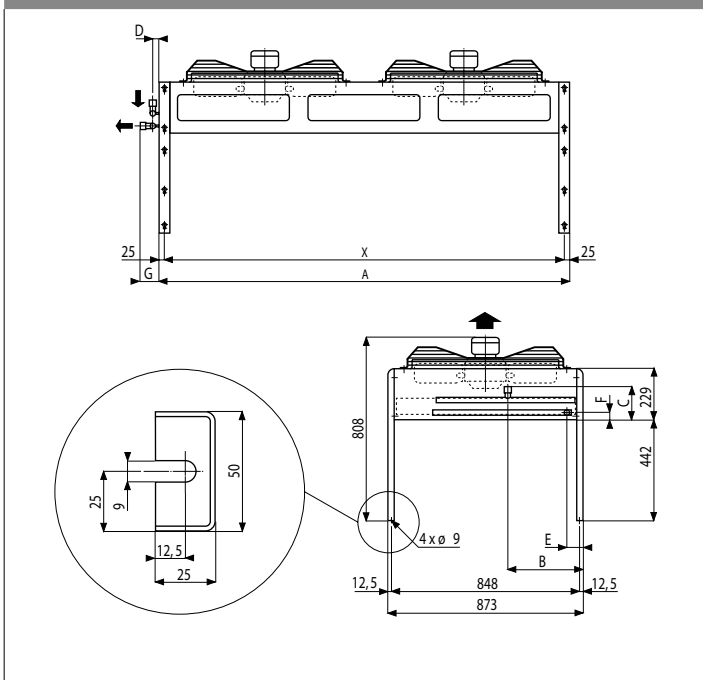
## WA ... 06P/08P - (1,000/750 rpm)

 2.12 mm

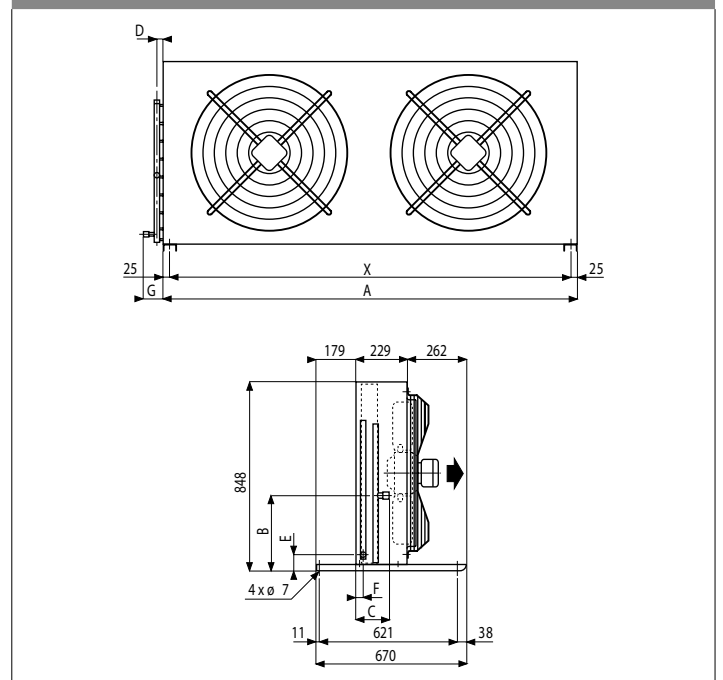
CONDITIONS		REFRIGERANTS	WA ...	41	42	57	65
<b>DT = 15K</b>	<b>R449A</b>	06P (Δ)	<b>kW</b>	40,6	45,0	61,1	68,2
		08P (Y)	<b>kW</b>	35,4	38,5	53,3	58,1
Surface area			<b>m<sup>2</sup></b>	72	95	107	143
Circuit tube vol.			<b>dm<sup>3</sup></b>	12	16	18	24
Fan *	Airflow	06P (Δ)	<b>m<sup>3</sup>/h</b>	12800	11630	19200	17440
		08P (Y)	<b>m<sup>3</sup>/h</b>	10300	9270	15440	13910
			<b>Nb x mm</b>	2 x 630	2 x 630	3 x 630	3 x 630
Energy class			—06P/08P	D/D	D/C	D/D	D/D
Acoustics	Lw (1)	06P (Δ)	<b>dB(A)</b>	83	83	85	85
		08P (Y)	<b>dB(A)</b>	77	77	79	79
	Lp (2)	06P (Δ)	<b>dB(A)</b>	52	52	53	53
		08P (Y)	<b>dB(A)</b>	46	46	47	47
Circuits			<b>Nb</b>	8	8	12	16
Inlet			<b>ODF (4)</b>	1 1/8"	1 1/8"	1 3/8"	1 3/8"
Outlet			<b>ODF (4)</b>	7/8"	1 1/8"	1 1/8"	1 1/8"
Net weight			<b>kg</b>	89	99	131	146

\* Ø 630 mm - 400 V/3/50 Hz - Δ: 420 W max - 0.78 A max (3) - Y: 300 W max - 0.5 A max (3)

WA | Vertical air position



WA | Horizontal air position



WA ... 04P/06P

		15	19	22	30	39	44	48	58	67	54	59	81	95
A	mm	730	730	730	1390	1390	1390	2050	2050	2050	1870	1870	2770	2770
B	mm	240	520	340	340	495	390	390	470	390	470	390	455	455
C	mm	150	150	150	150	155	155	155	155	155	150	150	160	160
D	mm	20	25	25	25	30	30	30	30	30	25	25	50	50
E	mm	55	40	55	55	45	55	55	45	55	45	55	45	60
F	mm	73	53	34	73	53	34	73	53	34	53	34	53	34
G	mm	78	81	81	81	88	88	92	88	88	85	85	115	115
X	mm	680	680	680	1340	1340	1340	2000	2000	2000	1820	1820	2720	2720

WA ... 06P/08P

		41	42	57	65
A	mm	1870	1870	2770	2770
B	mm	470	390	455	455
C	mm	150	150	160	160
D	mm	25	25	50	50
E	mm	45	55	45	60
F	mm	53	34	53	34
G	mm	85	85	115	115
X	mm	1820	1820	2720	2720

WA ... 08P/12P

		10	13	14	21	26	27	32	37	40	34	36	47	51
A	mm	730	730	730	1390	1390	1390	2050	2050	2050	1870	1870	2770	2770
B	mm	240	520	340	340	495	390	390	470	390	470	390	455	455
C	mm	150	150	150	150	155	155	155	155	155	150	150	160	160
D	mm	20	25	25	25	30	30	30	30	30	25	25	50	50
E	mm	55	40	55	55	45	55	55	45	55	45	55	45	60
F	mm	73	53	34	73	53	34	73	53	34	53	34	53	34
G	mm	78	81	81	81	88	88	92	88	88	85	85	115	115
X	mm	680	680	680	1340	1340	1340	2000	2000	2000	1820	1820	2720	2720

WA ... 16P

		23	24	28	29
A	mm	1870	1870	2770	2770
B	mm	470	390	455	455
C	mm	150	150	160	160
D	mm	25	25	50	50
E	mm	45	55	45	60
F	mm	53	34	53	34
G	mm	85	85	115	115
X	mm	1820	1820	2720	2720